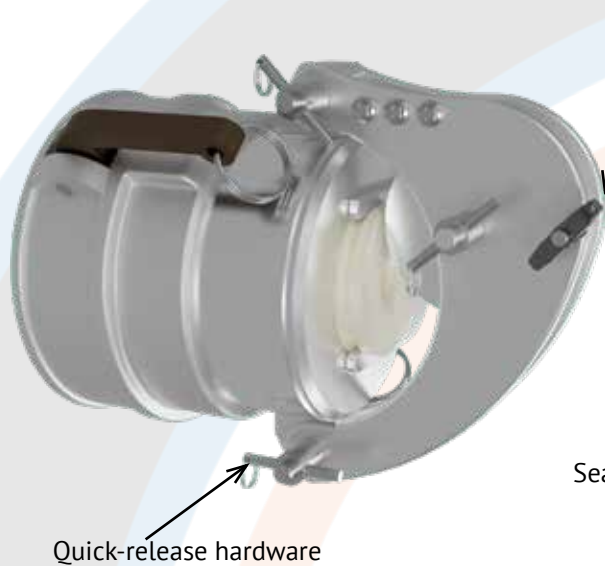


Aluminum End Cap System

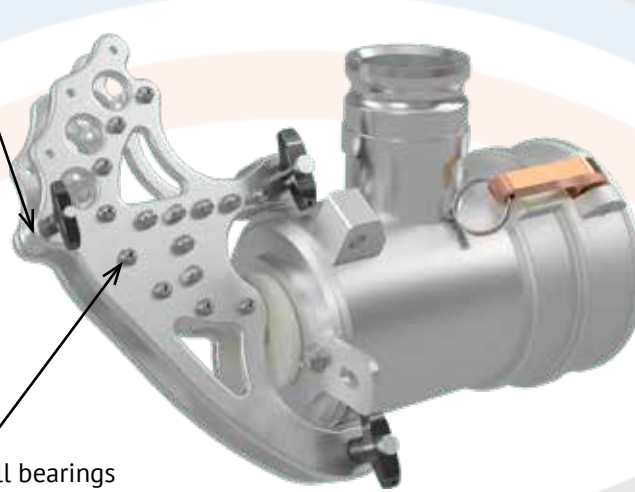
- Full range of standard cans for 6" to 72"
- All stainless steel hardware
- Full length heavy duty stainless steel hinges
- Solid 1" Aluminum handles
- 30% lighter than other cans
- Nesting design on large diameter cans



Integrated Roller Guides



Safety pin/roller prevents kinks

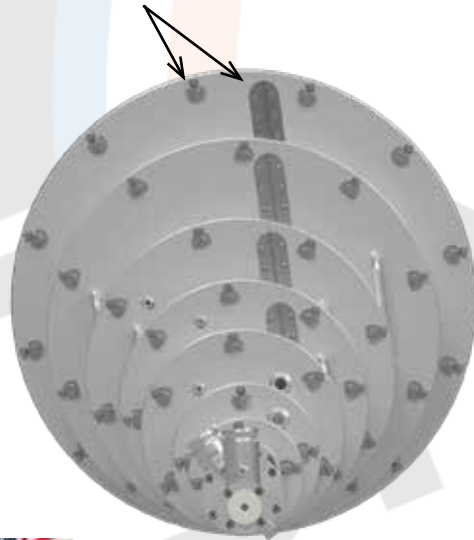


Nesting shells save space



Custom profiles and sizes available

Stainless hardware



Split Shells/Lids

54" - 72"



44.5"

42" - 54"



37.5"

36" - 42"



29.25"

30" - 36"



23.5"

24" - 30"



18.5"

18" - 24"



13.25"

12" - 16"



10"

10" - 12"



7.25"

6" - 8"



4.5"

Solid Shells/Lids

